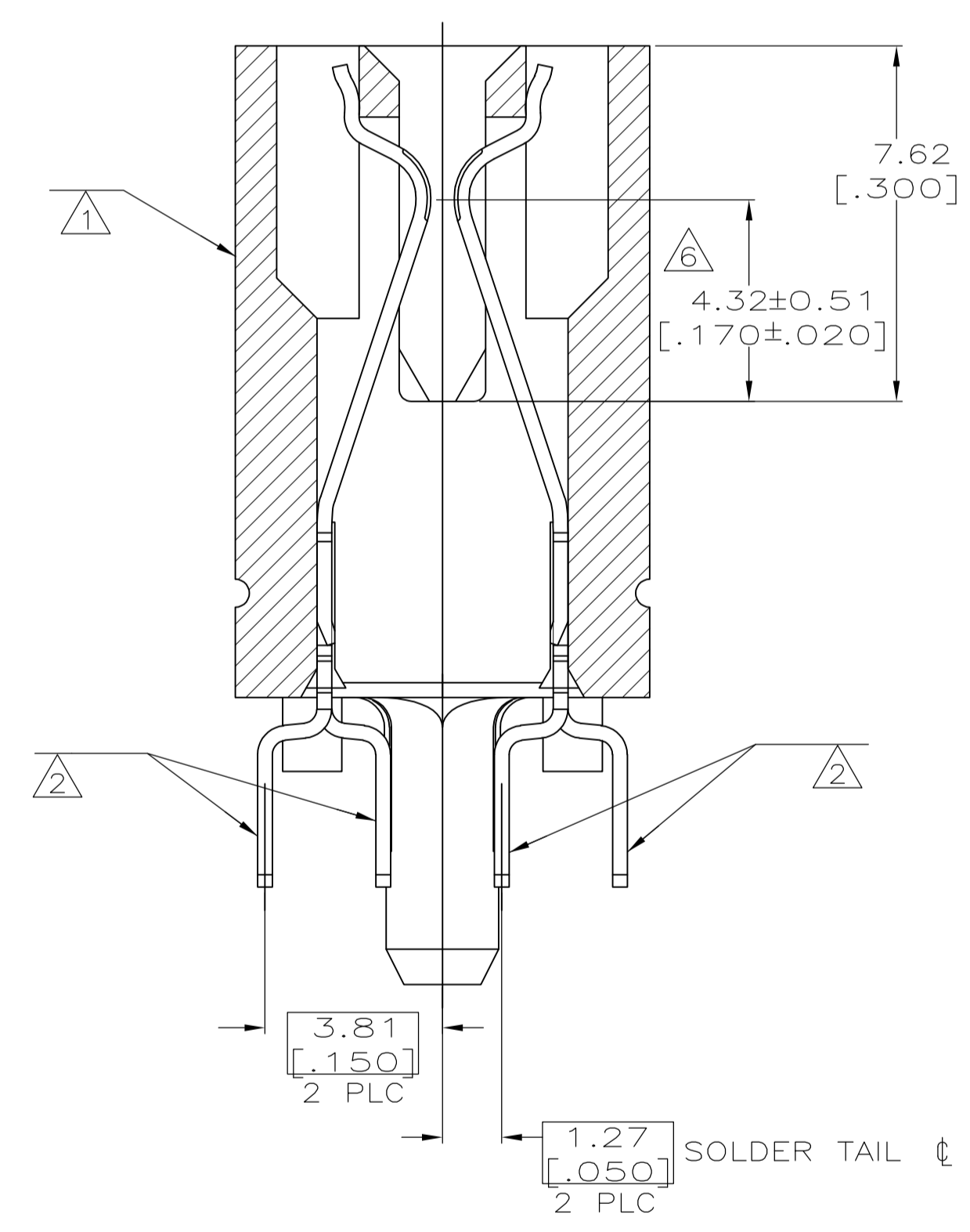


- 1 HOUSING: HIGH TEMPERATURE THERMOPLASTIC. COLOR - NATURAL
- 2 CONTACT: PHOSPHOR BRONZE.
- 3 CONTACT FINISH: .001269[.000050] MIN NICKEL ALL OVER. GOLD FLASH OVER NICKEL IN CONTACT AREA. .002537[.000100] MIN TIN OVER NICKEL ON SOLDER TAILS.
- 4 CONTACT FINISH: .001269[.000050] MIN NICKEL ALL OVER. .000375[.000015] MIN GOLD OVER NICKEL IN CONTACT AREA. .002537[.000100] MIN TIN OVER NICKEL ON SOLDER TAILS.
- 5 CONTACT FINISH: .001269[.000050] MIN NICKEL ALL OVER. .000757[.000030] MIN GOLD OVER NICKEL IN CONTACT AREA. .002537[.000100] MIN TIN OVER NICKEL ON SOLDER TAILS.
- 6 DISTANCE FROM CONTACT POINT TO BOTTOM OF CARD SLOT.
- 7 TE CONNECTIVITY PART NUMBER, DATE CODE AND CSA LOGO SHOULD BE MARKED ON THE SIDE OF THE HOUSING NEAR THE AMP LOGO.
- 8 CORED OR SOLID SIDE WALLS ARE AT DISCRETION OF TE CONNECTIVITY
- 9 PIN 44~49 AND PIN 104~109 ARE NOT LOADED.



SECTION L-L  
SCALE 8:1

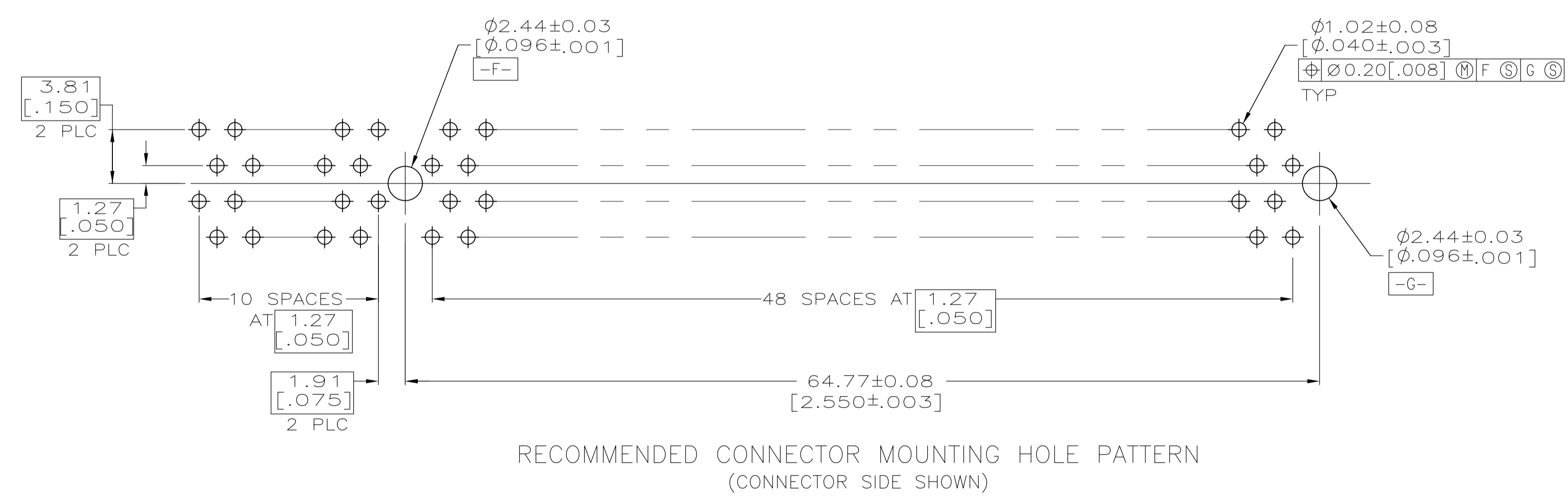
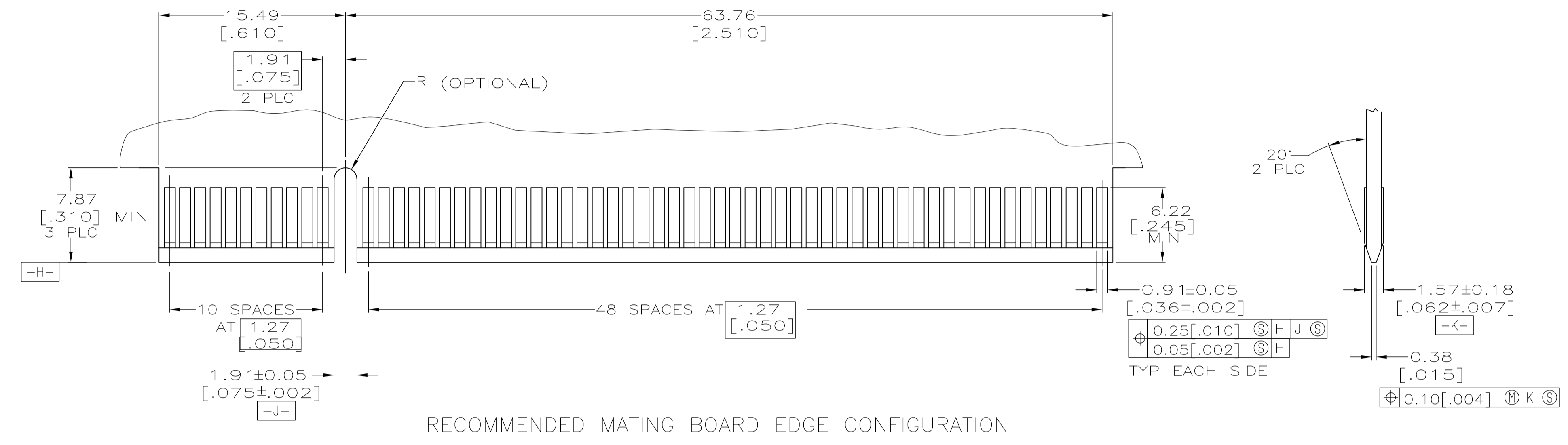
3.56 [.140]	5	1-5145154-2
3.18 [.125]	5	5145154-8
2.54 [.100]	5	5145154-4
2.54 [.100]	4	5145154-2
2.54 [.100]	3	5145154-1
W	FINISH	PART NUMBER

THIS DRAWING IS A CONTROLLED DOCUMENT.

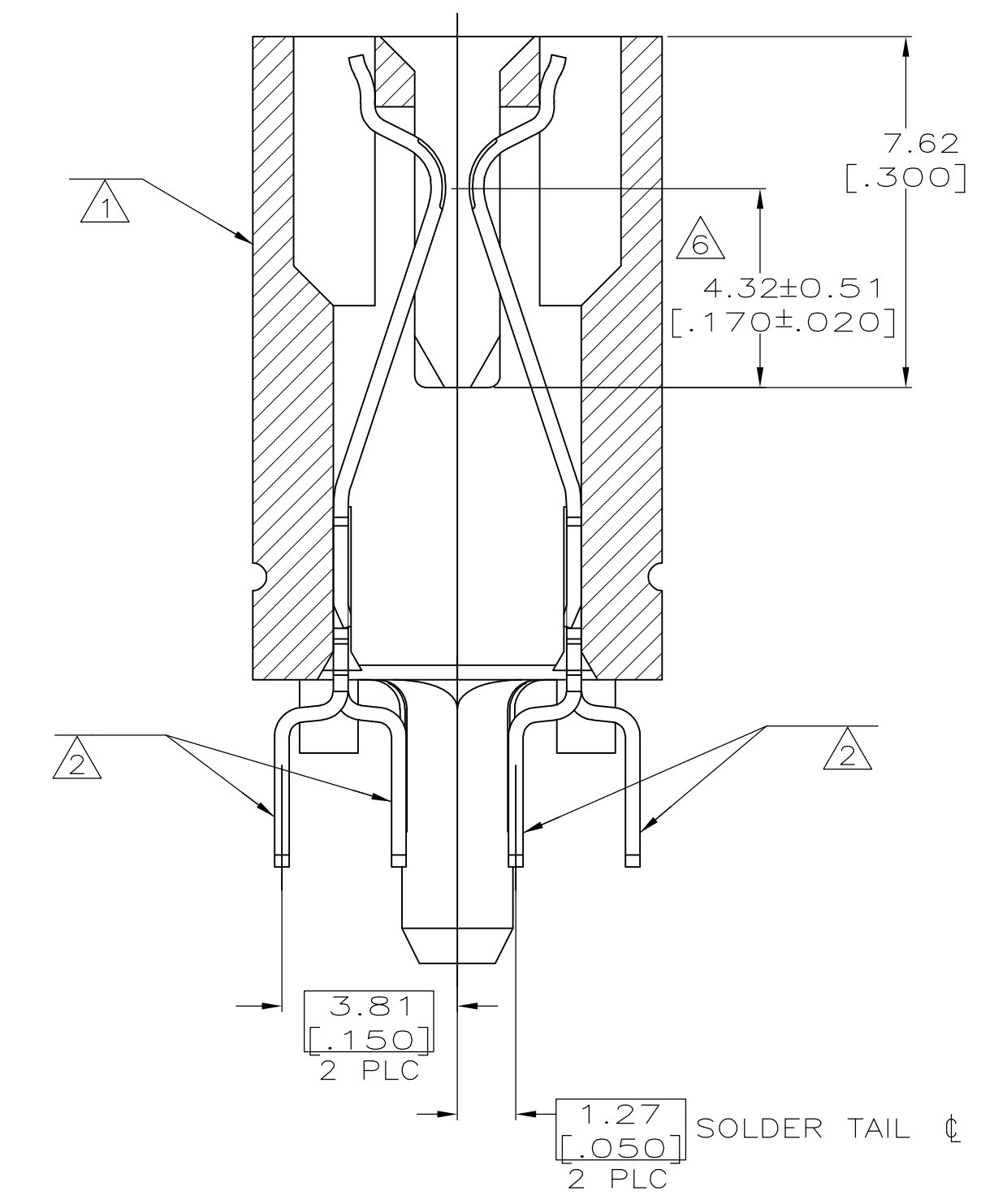
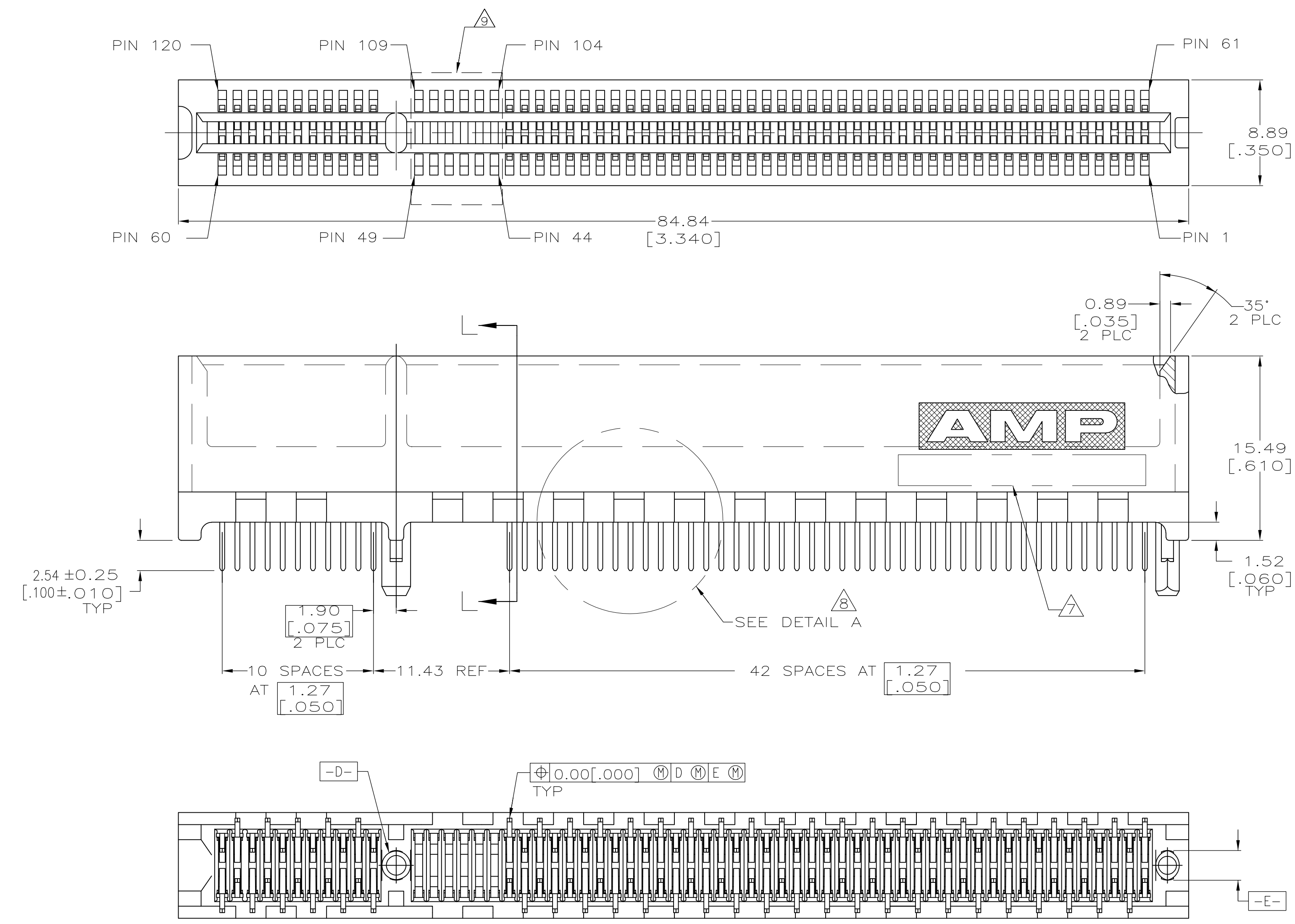
DIMENSIONS: mm [INCHES]	TOLERANCES UNLESS OTHERWISE SPECIFIED:	0 PLC ± -	1 PLC ± -	2 PLC ± .25[.01]	3 PLC ± .125 [.005]	4 PLC ± -	ANGLES ± ± °
MATERIAL		FINISH		WEIGHT		CUSTOMER DRAWING	

DMN	AL FRANTUM	20 MAY 04
CHK	AL FRANTUM	20 MAY 04
APVD		
NAME	CONNECTOR ASSEMBLY, 60 DUAL POSITION, 1.27 [.050] SERIES, CARD EDGE	
PRODUCT SPEC	108-14034	
APPLICATION SPEC	114-26012	
SIZE	CAGE CODE	DRAWING NO
A1	00779	5145154
RESTRICTED TO	SCALE	SHEET
	4:1	1 OF 4

STE TE Connectivity

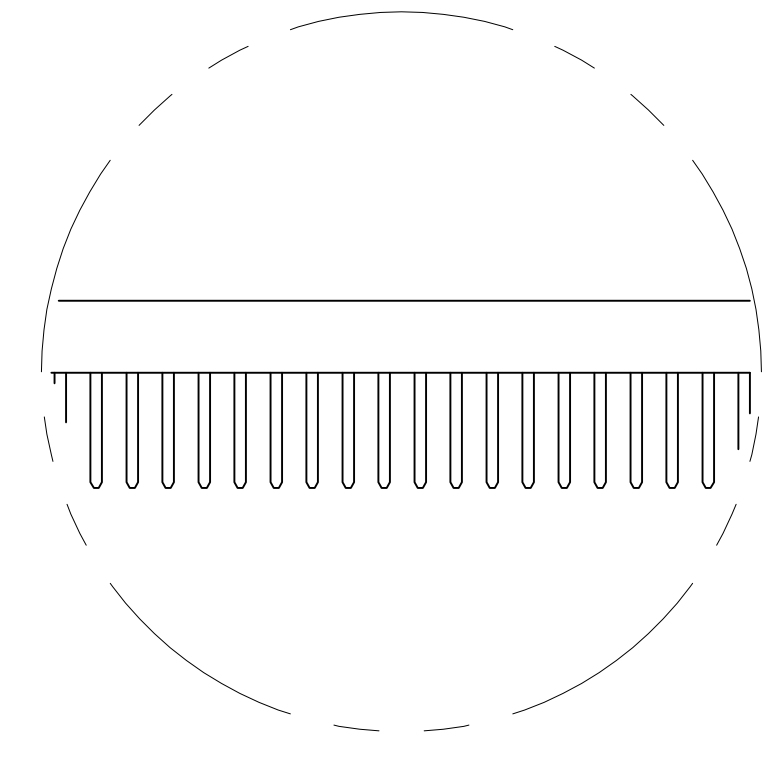


THIS DRAWING IS A CONTROLLED DOCUMENT.		DIN AL FRANTUM 20 MAY 04		TE Connectivity	
DIMENSIONS: mm [INCHES]		TOLERANCES UNLESS OTHERWISE SPECIFIED:			
0 PLC ± - 1 PLC ± - 2 PLC ± .25 [.01] 3 PLC ± .125 [.005] 4 PLC ± - ± ° ANGLES ± - ± °		PRODUCT SPEC 108-14034 APPLICATION SPEC 114-26012		NAME CONNECTOR ASSEMBLY, 60 DUAL POSITION, 1.27 [.050] SERIES, CARD EDGE	
MATERIAL		FINISH		SIZE A1 CAGE CODE 00779 DRAWING NO. 5145154 RESTRICTED TO	
CUSTOMER DRAWING				SCALE 4:1 SHEET 2 OF 4 REV E	



SECTION L-L  
SCALE 8:1

SEE SHEET 4 FOR HOLE PATTERN

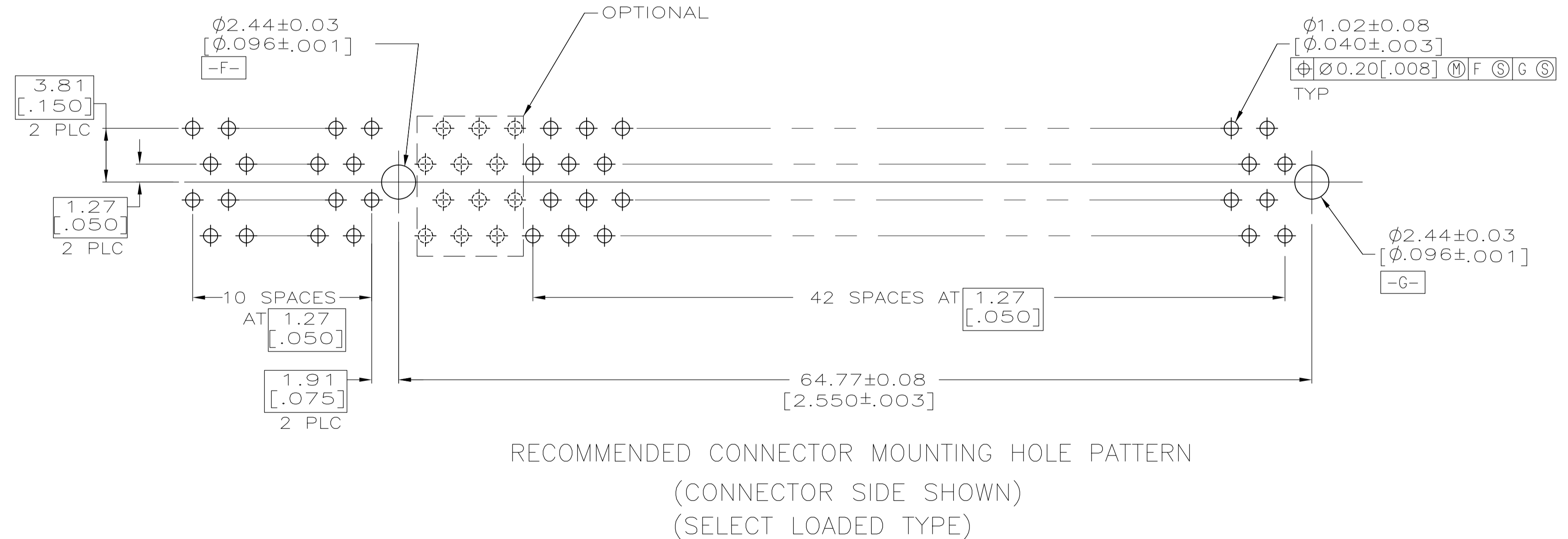
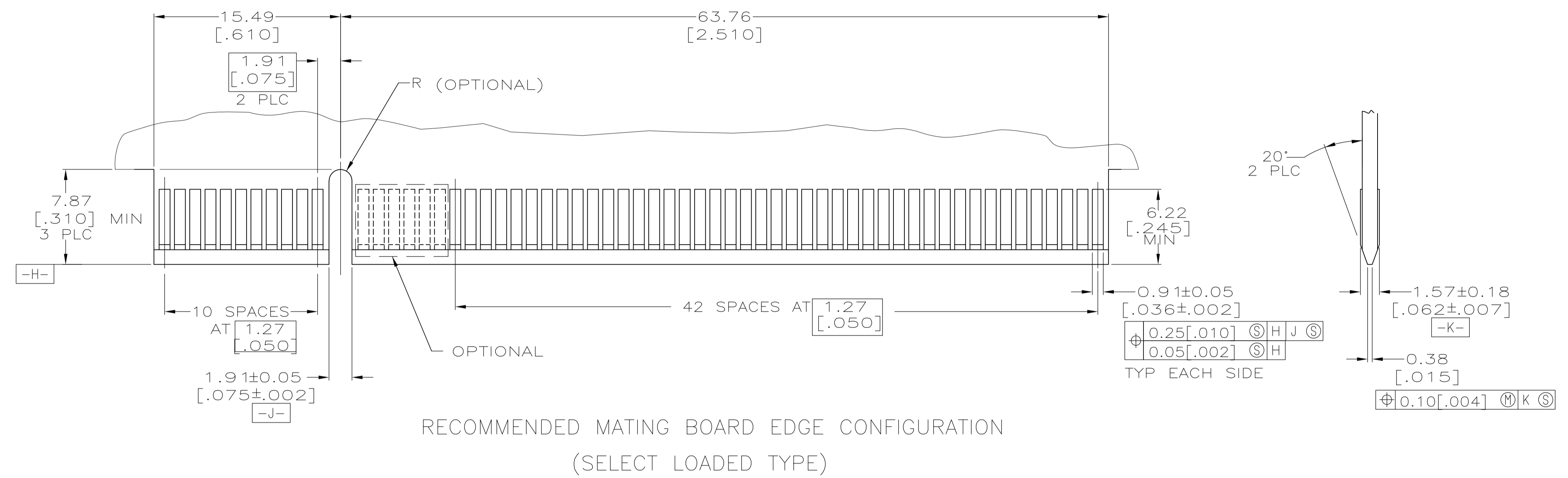


DETAIL A

SELECT LOADED TYPE AS SHOWN.

	2-5145154-1
FINISH	PART NUMBER

THIS DRAWING IS A CONTROLLED DOCUMENT.		DWN: AL FRANTUM 20 MAY 04	TE Connectivity	
DIMENSIONS: mm [INCHES]		CHK: AL FRANTUM 20 MAY 04	CONNECTOR ASSEMBLY, 60 DUAL POSITION, 1.27 [.050] SERIES, CARD EDGE	
TOLERANCES UNLESS OTHERWISE SPECIFIED:		NAME: 108-14034	RESTRICTED TO	
0 PLC ± -	1 PLC ± -	PRODUCT SPEC: 108-14034	SIZE: A1	
2 PLC ± .25 [.01]	3 PLC ± .125 [.005]	APPLICATION SPEC: 114-26012	CAGE CODE: 00779	
4 PLC ± -	ANGLES ± °	WEIGHT: -	DRAWING NO: 5145154	
MATERIAL: -	FINISH: -	CUSTOMER DRAWING	SCALE: 4:1	SHEET: 3 OF 4



THIS DRAWING IS A CONTROLLED DOCUMENT.		DN AL FRANTUM 20 MAY 04	TE Connectivity
DIMENSIONS: mm [INCHES]		CHK AL FRANTUM 20 MAY 04	
TOLERANCES UNLESS OTHERWISE SPECIFIED:		APVD	NAME
0 PLC ± -	1 PLC ± -	PRODUCT SPEC	CONNECTOR ASSEMBLY, 60 DUAL POSITION, 1.27 [.050] SERIES, CARD EDGE
2 PLC ± .25 [.01]	3 PLC ± .125 [.005]	APPLICATION SPEC	108-14034
4 PLC ± -	ANGLES ± -	SIZE	114-26012
MATERIAL	FINISH	WEIGHT	SCALE 4:1 SHEET 4 OF 4 REV E
CUSTOMER DRAWING		00779	5145154